



## Dallas: Podo chair for beauty centre

The Dallas chair is electric and is ideal for different types of beauty treatments. It is equipped with seat height adjustment, seat angle and backrest thanks to an electric pedal, it also has two separate and independent legrests, manually adjustable. The chair is also equipped with two fully rotatable armrests, so they can be used in all positions, sitting and lying down. The legrest and headrest are adjustable in length and height for total customer comfort.

### ARTICOLI

#### MB/P10

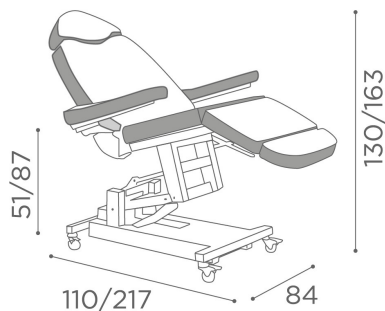
MB/P11 single legrest

### MATERIALS

Thick, padded plywood structure upholstered in Skai, attached to a glossy white, painted metal frame

IN PHOTO: MB/P10 - COLOUR A: HOT CHOCOLATE 60 / B: MILK 61

*Le immagini sono fornite al solo scopo illustrativo e non costituiscono elemento contrattuale*



Colours: A  B



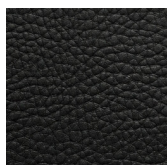
All Medical&Beauty products are available in a wide choice of colours at no extra cost!



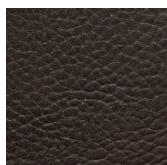
All Medical&Beauty products are available in a wide choice of colours at no extra cost!



champagne 10



black coffee 59



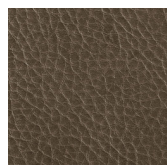
hot chocolate 60



milk 61



tea 62



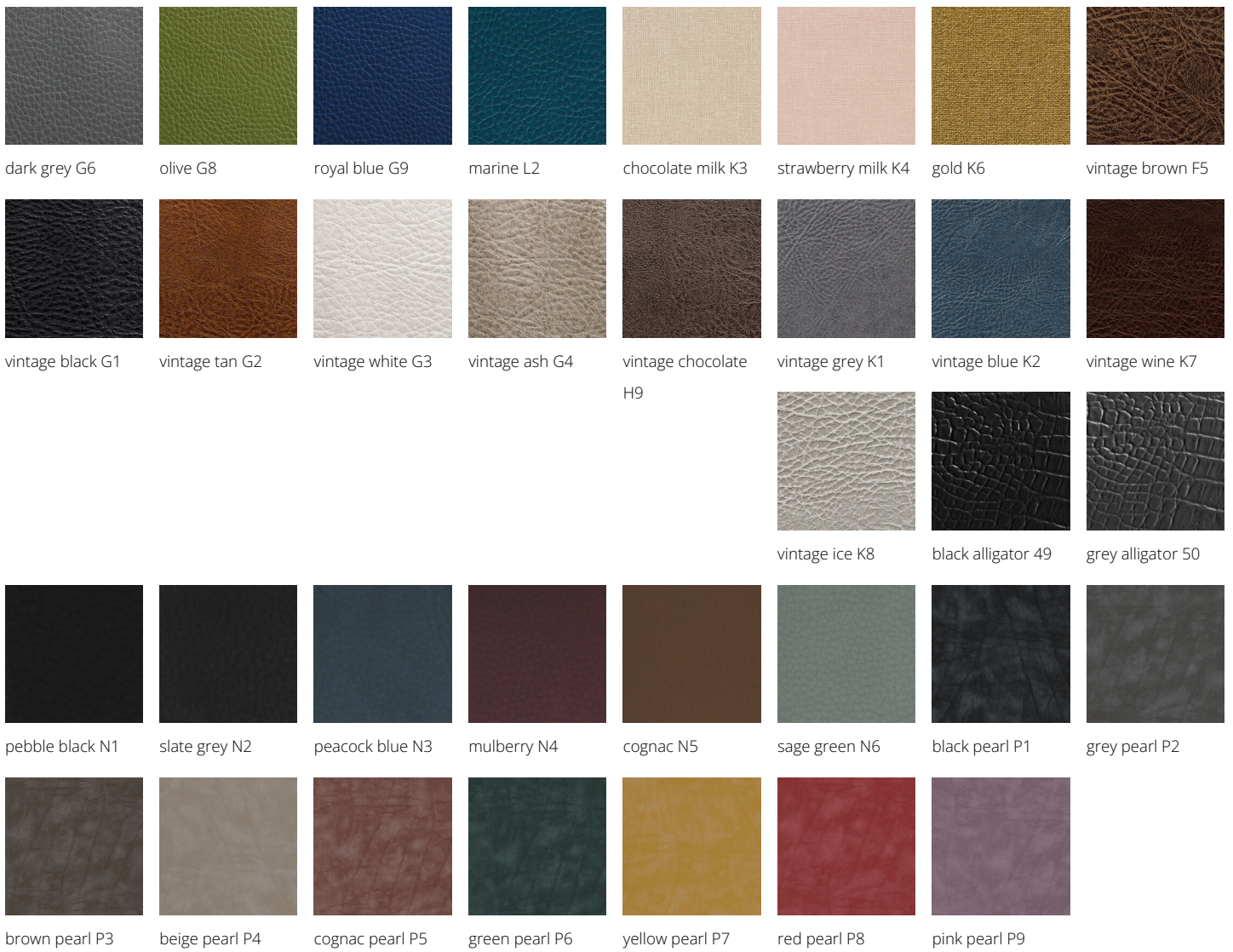
cappuccino 63



espresso 64



light grey G5



Via Lazzaretti 12 - 42122 - Reggio Emilia - Italy  
 Salon Ambience Italia - +39 0522 276740  
 International Sales - +39 0522 276755  
 Numero verde - 800 144552  
 Fax - +39 0522 276767  
 E-mail: info@salonambience.com

<https://www.facebook.com/salonambiencegroup>  
<https://www.instagram.com/salonambiencegroup/>  
[https://www.youtube.com/channel/UCqTdWM-4\\_65Tr0Jul82kSCQ](https://www.youtube.com/channel/UCqTdWM-4_65Tr0Jul82kSCQ)