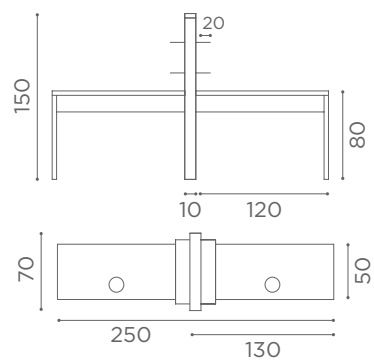
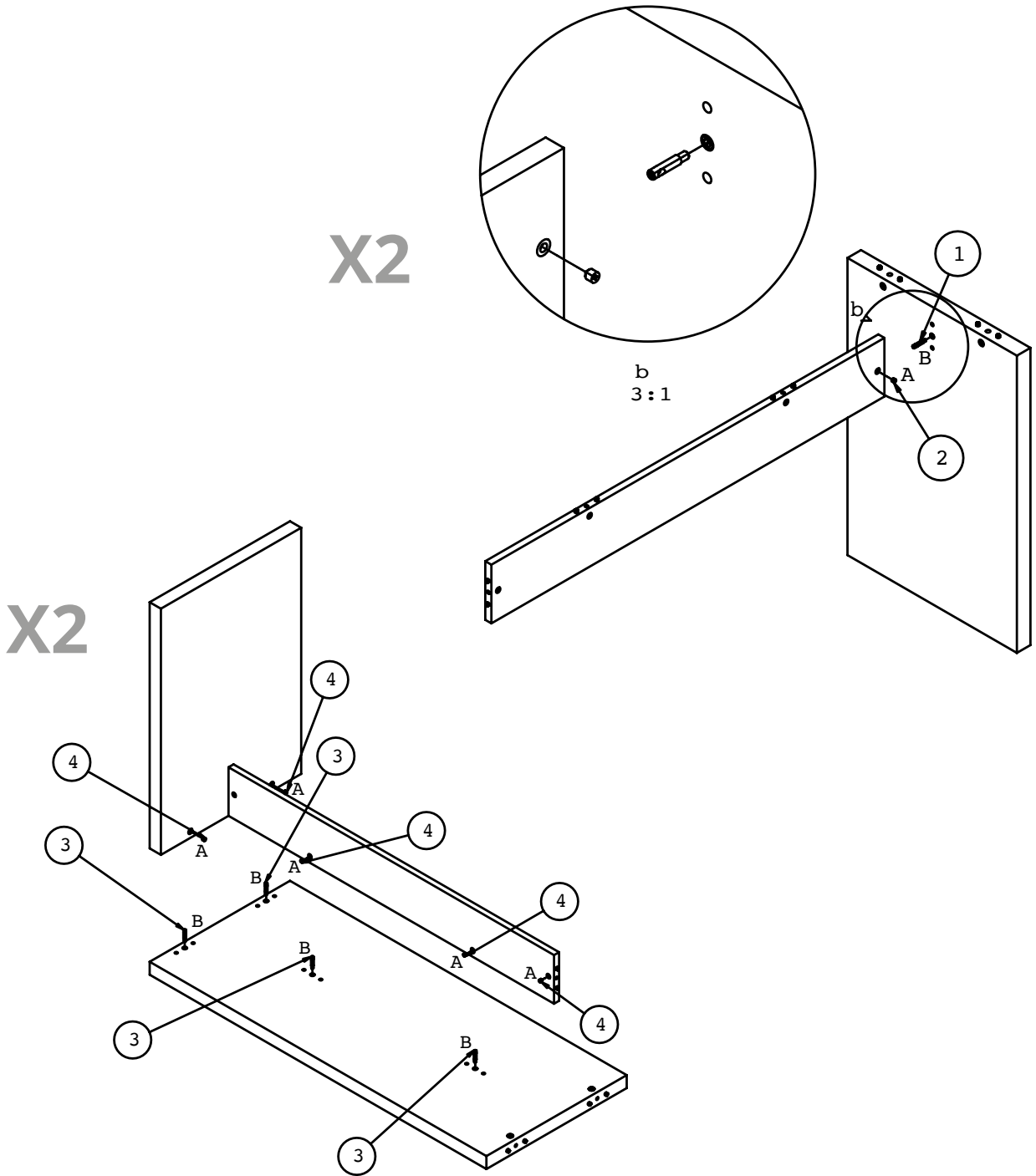
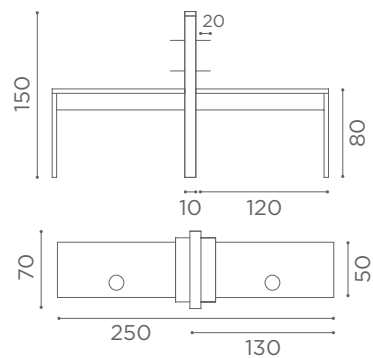
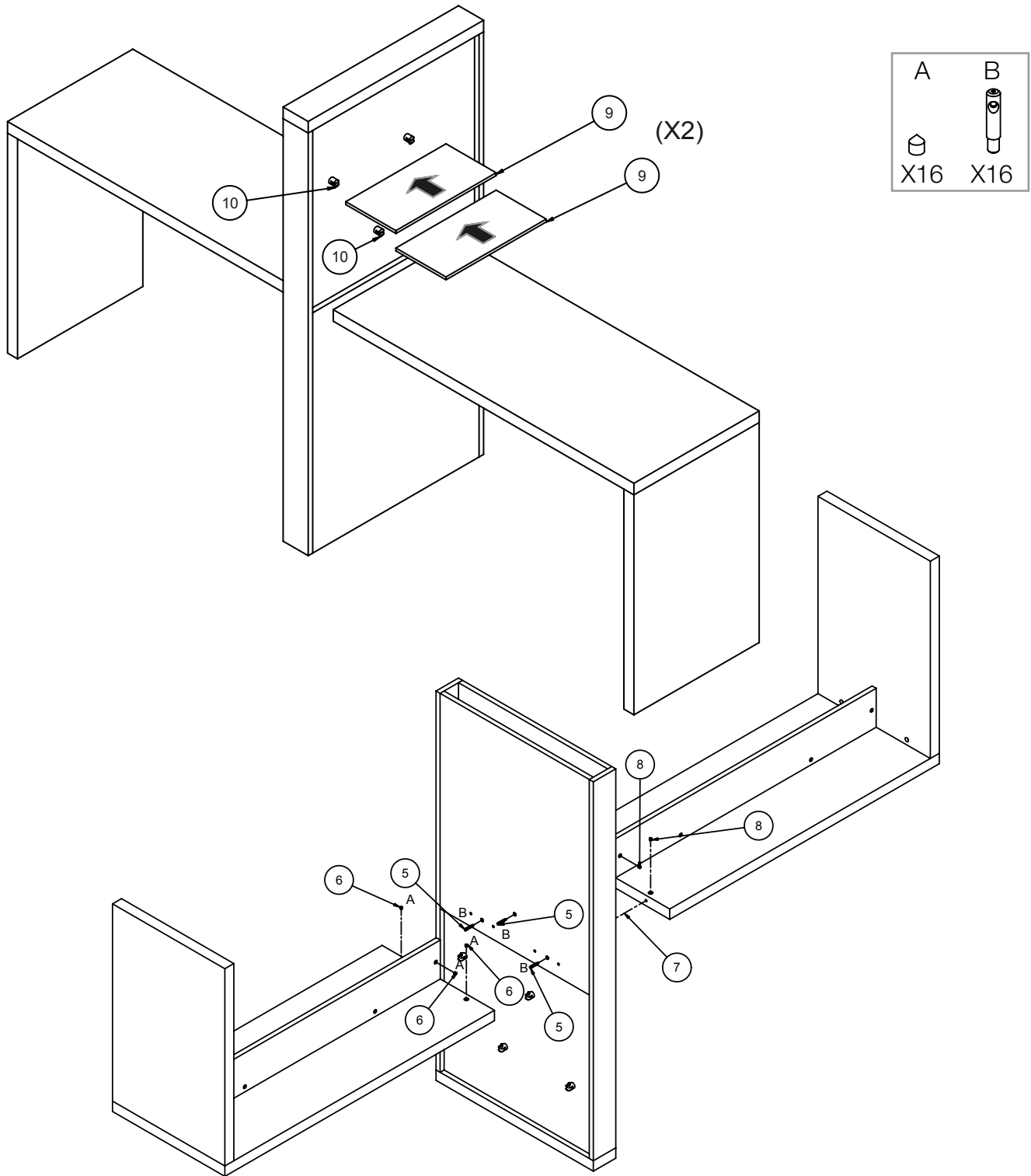


MB/MT130

MB/MT131





MB/MT122

MB/MT123